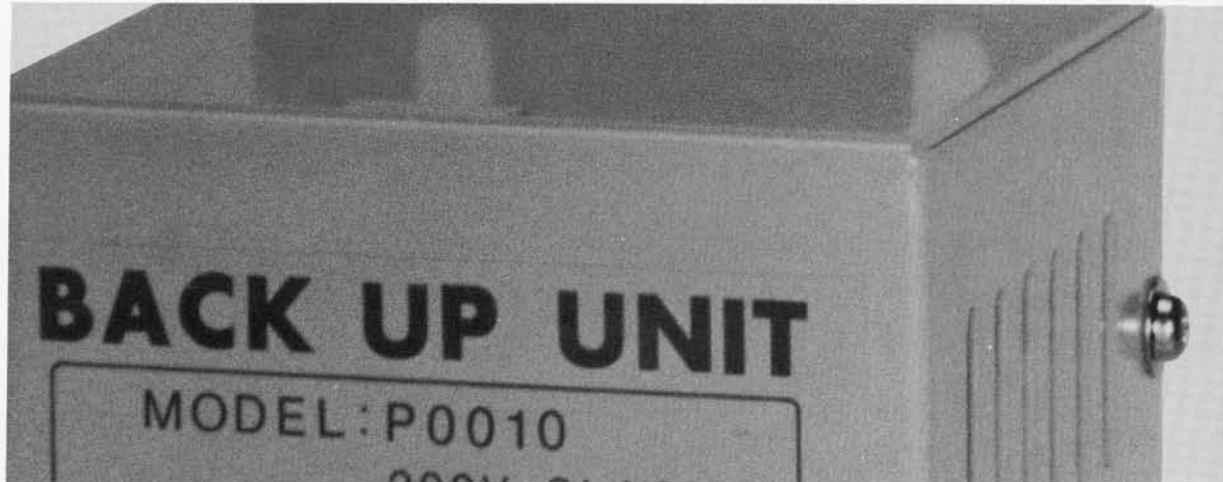


BACK-UP CAPACITOR UNIT FOR MOMENTARY POWER LOSS

FOR Varispeed-600 SERIES

200V CLASS P0010, 400V CLASS P0020



Before initial operation, read these instructions thoroughly, and retain for future reference.



YASKAWA

The back-up capacitor unit for momentary power loss is used when inverter operation is required to continue even if a momentary power loss of up to 2 seconds occurs. This unit is mounted separately from inverter.

Inverters to which the back-up capacitor unit for momentary power loss can be connected are the following.

Required only at 3HP (2.2 kW) or less :

- VS-616G3 series
- VS-616H3 series
- VS-676VG3 series
- VS-676VH3 series

* Power loss ride-thru time of 3HP (2.2 kW) or smaller inverter is approx. 1 second if this option is not used. Therefore, if momentary power loss back-up time of up to approx. 2 seconds is required, use the momentary power loss back-up capacitor unit. For 5HP (3.7 kW) or more, continuous operation at momentary power loss for approx. 2 seconds can be assured without this option.



Back-up Capacitor Unit for Momentary Power Loss P0010

1. STANDARD SPECIFICATIONS

Items	Voltage Model	200 V Class	400 V Class
		P0010	P0020
Applicable Motor Output		0.5 to 3 HP (0.4 to 2.2 kW)	0.5 to 3 HP (0.4 to 2.2 kW)
Power Supply Voltage		243 to 400 VDC	460 to 800 VDC
Charging Time		Charging time constant τ = approx. 4.5 sec.	Charging time constant τ = approx. 0.7 sec.
Charge Display		Displayed until main circuit DC voltage becomes 50 V or less.	
Envi-ron-ments	Loca-tion	Indoor (no corrosive gases or dirt and dust)	
	Ambient Temp.	+ 14 to + 122 °F (- 10 to + 50 °C)	
	Storage Temp.	- 4 to + 140 °F (- 20 to + 60 °C)	
	Humid-ity	90 % RH or less (non-condensing)	
	Vibra-tion	Up to 1G for 20 Hz or less, up to 0.2 G for 20 to 50 Hz	
Enclosure		Open chassis type, enclosed wall-mounted type (NEMA1)	

CAUTION

- (1) Read this instruction manual and the instruction manual of inverter on which this unit is mounted before using the back-up capacitor unit.
- (2) For connection of the back-up capacitor unit for momentary power loss, turn off the inverter main circuit power supply and make sure that inverter CHARGE indicator has been turned off.
- (3) Name and model must be specified when the back-up capacitor unit for momentary power supply is ordered.

2. CONNECTION TO INVERTER

- (1) Turn off the inverter main circuit power supply and make sure that CHARGE indicator has been off.
- (2) Remove the front cover of the back-up capacitor unit for momentary power loss (only for enclosed wall-mounted type).
- (3) Connect the back-up capacitor unit and inverter as shown in Fig. 1.
Terminal screw size for the back-up capacitor unit is M4. Use wire of 2 mm² or larger for connection.
- (4) Inverter Momentary Power Loss Back-up Capacitor Timer Change After completing connection of the momentary power loss back-up capacitor unit, be sure to set the inverter's momentary power loss timer.
Set inverter system constant Sn-11 third digit to 1 to select continuous operation at momentary power loss. (It is set to 0 prior to shipment.)
Additionally, set the power loss ride-thru time to less than or equal to 2 seconds in CN-39.

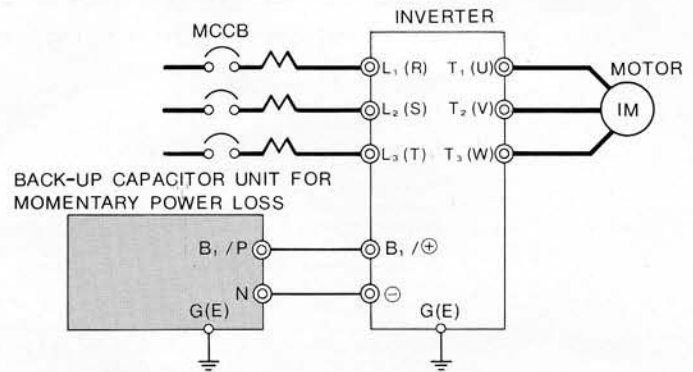
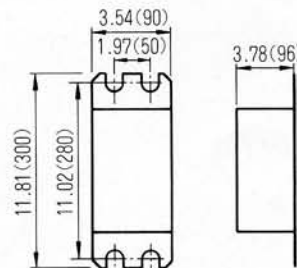


Fig. 1 Interconnection of Back-up Capacitor Unit

3. EXTERNAL DIMENSIONS in inches (mm)

The dimensions are the same for all units.
Mounting screw size (at four places) is M6.



BACK-UP CAPACITOR UNIT FOR MOMENTARY POWER LOSS

FOR Varispeed-600 SERIES

TOKYO OFFICE Ohtemachi Bldg, 1-6-1 Ohtemachi, Chiyoda-ku, Tokyo, 100 Japan
Phone (03) 3284-9111, -9145 Telex YASKAWA J33530 Fax (03) 3284-9034

SEOUL OFFICE Seoul Center Bldg, 91-1, So Kong-Dong, Chung-ku, Seoul, Korea
Phone (02) 776-7844 Fax (02) 753-2639

TAIPEI OFFICE Union Commercial Bldg, 14F, 137, Nanking East Road, Sec 2, Taipei, Taiwan
Phone (02) 507-7065, -7732 Fax (02) 506-3837

YASKAWA ELECTRIC AMERICA, INC. : SUBSIDIARY

Chicago-Corporate Headquarters 2942 MacArthur Blvd. Northbrook, Illinois 60062-2028, U.S.A.
Phone (708) 291-2340 Fax (708) 498-2430

Chicago-Technical Center 3160 MacArthur Blvd. Northbrook, Illinois 60062-1917, U.S.A.
Phone (708) 291-0411 Fax (708) 291-1028

Los Angeles Office 7341 Lincoln Way, Garden Grove, California 92641, U.S.A.
Phone (714) 894-5911 Telex (230) 678396 YASKAWAUS TSTN Fax (714) 894-3258

New Jersey Office 30 Two Bridges Road, Fairfield, New Jersey 07006, U.S.A.
Phone (201) 575-5940 Fax (201) 575-5947

YASKAWA ELECTRIC EUROPE GmbH : SUBSIDIARY

Niederhochstadter Straße 71-73, W 6242 Kronberg-Oberhöchstadt, Germany
Phone (06173) 938-0 Telex 415660 YASE D Fax (06173) 68421

YASKAWA ELÉTRICO DO BRASIL COMÉRCIO LTDA. : SUBSIDIARY

Av. Brig. Faria Lima, 1664-cj, 721/724, Pinheiros, São Paulo-SP, Brasil CEP-01452
Phone (011) 813-3933, 813-3694 Telex (011) 82869 YSKW BR Fax (011) 815-8795

YASKAWA ELECTRIC (SINGAPORE) PTE. LTD.

CPF Bldg, 79 Robinson Road No. 13-05, Singapore 0106
Phone 2217530 Telex (87) 24890 YASKAWA RS Fax (65) 224-5854



YASKAWA

YASKAWA ELECTRIC CORPORATION

TOE-C736-50.6B

© Printed in Japan November 1992 91-2 1TA ◊
690-92